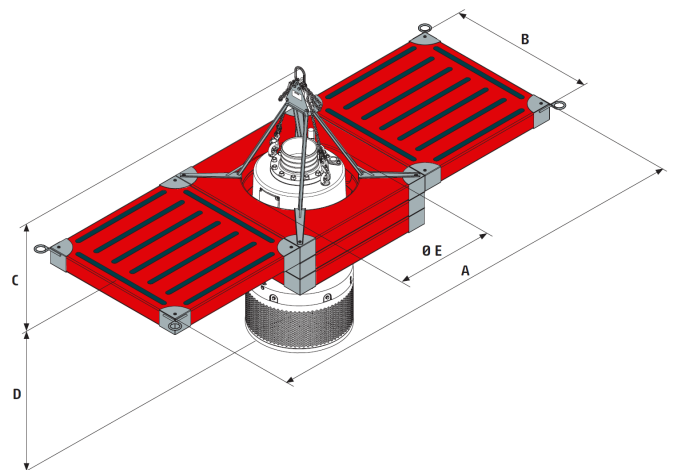
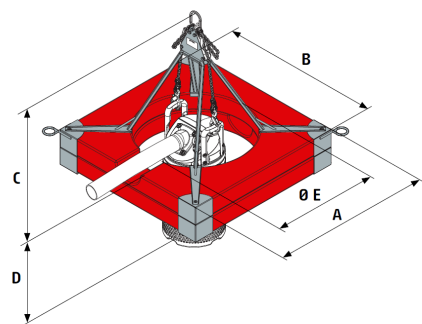
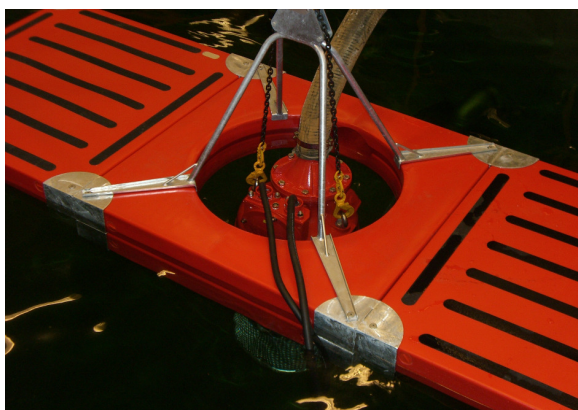


Grindex pump raft system 80-180-460-600 is a handy solution to the problem with a drainage, sludge or slurry pump that digs itself down in sand and mud when operating. The raft keeps the pump floating, minimising the unnecessary wear that comes from pumping sand.

Grindex pump raft system is a modular system where preselected models meet the required lifting capacity for pump models Master, Matador, Maxi & Magnum. The pump raft system offer flexibility with few parts required to easily build a pump raft to meet specific installations. For other Grindex sludge or slurry pumps, check the weight of the pump and chose suitable pump raft system

Grindex pump raft is made of oil resistant polyethylene, filled with expanding polystyrene and the pump lifting frame is made of hot dipped galvanised steel with a certified 2-part lifting chain assembled to it.

Denomination	applicable for pump model	Max Lifting capacity (kg)	Dimension (A x B x C) mm	Depth under water (D) m	Inner diam. raft ring (E) mm
<b>Pump raft system 80</b>	Master	<b>80</b>	1200x1200x800	0,7-0,9	800
<b>Pump raft system 180</b>	Matador	<b>180</b>	1200x1200x800	0,8-1,0	800
<b>Pump raft system 460</b>	Maxi	<b>460</b>	3600x1200x800	1,0-1,2	800
<b>Pump raft system 600</b>	Magnum	<b>600</b>	3600x1200x800	1,3-1,5	800



<b>Pump raft system complete</b>	<b>Pump raft system 80 for Master</b>		<b>Pump raft system 180 for Matador</b>	
<b>Article number</b>	<b>410712</b>		<b>410713</b>	

Bill of material presented below for complete pump raft system

<b>Denomination</b>	<b>Article number</b>	<b>Qty</b>	<b>Article number</b>	<b>Qty</b>
Pump raft M100 (ring)	410467	1	410467	2
1/4 Connection plate	410652	2	410652	6
1/4 Connection plate with eye bolt	410653	2	410653	2
Threaded rods M8 125 mm, kit	410657	1	-	-
Threaded rods M8 260 mm, kit	-	-	410658	1
Pump lifting frame (max 600 kg)	410648	1	410648	1
Screws for pump lifting frame, kit	410650	1	410650	1
Lifting chain 2-part (max 600 kg)	410649	1	410649	1

<b>Pump raft system complete</b>	<b>Pump raft system 460 for Maxi</b>		<b>Pump raft system 600 for Magnum</b>	
<b>Article number</b>	<b>410714</b>		<b>410715</b>	

Bill of material presented below for complete pump raft system

<b>Denomination</b>	<b>Article number</b>	<b>Qty</b>	<b>Article number</b>	<b>Qty</b>
Pump raft M100 (ring)	410467	2	410467	3
Pump raft M170 (block)	410468	2	410468	2
1/4 Connection plate	410652	4	410652	8
1/4 Connection plate with eye bolt	410653	4	410653	4
2/4 Connection plate	410654	4	410654	4
Threaded rods M8 125 mm, kit	410657	2	410657	2
Threaded rods M8 260 mm, kit	410658	1	-	-
Threaded rods M8 390 mm, kit	-	-	410659	1
Pump lifting frame (max 600 kg)	410648	1	410648	1
Screws for pump lifting frame, kit	410650	1	410650	1
Lifting chain 2-part (max 600 kg)	410649	1	410649	1